

**OCTAGON  
STORAGE RANGE.**



**MAKE YOUR  
SPACE WORK  
HARDER FOR YOU.**



# CONTENTS.



PRODUCT PACKS	05
CORNER STORAGE	09
STORAGE CAPACITY	11
TECHNICAL INFO	15
FRAME PACKS	18



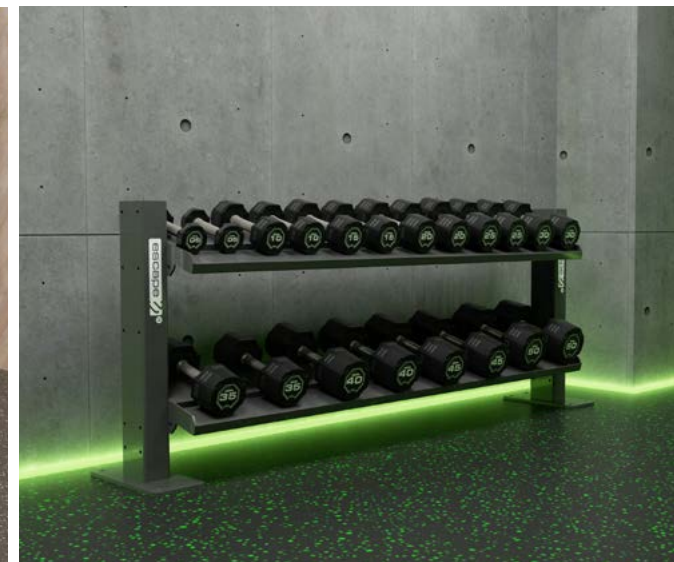


# STORAGE EVOLVED.

The world of fitness has changed. Needs and requirements for storage have evolved over the years and it's no longer just about boxes or shelving being somewhere to put training tools when they're not in use. Gyms and studios need to make every inch of space work harder, giving more to members and clients while remaining cost effective and enhancing every aspect of a brand and experience.

Escape has led the way as pioneers of product storage for over two decades, helping operators, trainers and gym owners stay ahead of the game in keeping their fitness space safe, tidy and an efficient environment to work out in.

Made from high-grade steel and aesthetically pleasing designs, these new storage innovations act as talking points, complementing everything in your location and giving members more space to work out. Make your storage work harder to improve your bottom line.







**MAKE YOUR STORAGE  
WORK HARDER FOR YOU  
AND YOUR MEMBERS.**

# OCTAGON DUMBBELL STORAGE.

The two core shelving units, the five-pair and 10-pair dumbbell racks, are effective stand-alone solutions to solve storage issues and also act as the building blocks of any modular expansion you wish to create for your space.

Improve the visibility across your fitness space, tie in with existing Escape products such as the HIT HUB, or simply install as a versatile answer to making your dumbbell shelving provide more for the needs of your club.



**ULLDB05**



**ULLDB10**

**ULLDB05** 5 Pair Dumbbell Rack (freestanding)  
**ULLDB10** 10 Pair Dumbbell Rack (freestanding)

**SPECIFICATIONS:**

**ULLDB05:** Size (W)364mm/15" x (L)1340mm/53" x (H)760mm/30".  
 Weight 49kg/108lbs.

**ULLDB10:** Size (W)364mm/15" x (L)1972mm/78" x (H)760mm/30".  
 Weight 59kg/130lbs.

**Equipment sold separately.**

Combining the two core units in any modular combination offers a striking alternative to traditional shelving, meaning that you can give easy access to equipment without obscuring views of your gym or branding on the walls behind.

The slim footprint and freestanding convenience means that there's not only more space to get members and clients in to work out, but you can move the rack for different exciting layouts over time, depending on any of your gym or staff needs.



**ULLDB15**



**ULLDB20**

**ULLDB15** 15 Pair Dumbbell Rack (freestanding)  
**ULLDB20** 20 Pair Dumbbell Rack (freestanding)

**SPECIFICATIONS:**

**ULLDB15:** Size (W)364mm/15" x (L)3152mm/124" x (H)760mm/30".  
 Weight 108kg/238lbs.

**ULLDB20:** Size (W)364mm/15" x (L)3784mm/149" x (H)760mm/30".  
 Weight 118kg/260lbs.

**Equipment sold separately.**

**PLEASE NOTE:** For suggested shelf configurations see page 11.



# OCTAGON STORAGE SOLUTION.

With the option to store multiple training tools, this reinforced shelving for accessories provides both strength in build quality and flexibility in application. With ever-changing product trends, the linkable nature of this unit also adds another level of versatility, meaning that you can adapt your fitness space to suit new products and programming opportunities.



ULLSS11



Optional shelf mat available, recommended for all kettlebell storage.

- ULLSS11** Octagon Storage Solution 1.1m (freestanding)
- ULLSS17** Octagon Storage Solution 1.7m (freestanding)
- TMAT11** Top Rubber Mat 1.1m
- TMAT17** Top Rubber Mat 1.7m

**SPECIFICATIONS:**

- ULLSS11:** Size (W)414mm/16" x (L)1340mm/53" x (H)760mm/30".  
Weight 50kg/110lbs.
- ULLSS17:** Size (W)414mm/16" x (L)1972mm/78" x (H)760mm/30".  
Weight 91kg/201lbs.

**PLEASE NOTE:** For suggested shelf configurations see page 12-13.



ULLSS11



ULLSS17

# OCTAGON STORAGE CAGE.

Small fitness accessories can be difficult to store in a sensible footprint that remains practical. In addition, the shape of other items can make it a challenge to keep them at any time. The Octagon Storage Cage offers space for a variety of training tools, whether they're assorted accessories or products such as battle ropes that can be bulky in storage.

The Octagon Storage Cage can be fitted to shelving legs as stand-alone storage, or bolted to any existing Escape functional frame for aesthetic tie-in with practical application. Wherever it's housed, the cage's ventilated sides makes it ideal for equipment such as boxing accessories, keeping training gloves, pads and BOA Mitts tidy and fresh for longer, too.



OCS027

- OCS027** Storage Cage 1.7m
- OCS028** Storage Cage 1.1m

**SPECIFICATIONS:**

- OCS027:** Size (W)393mm/15½" x (L)1732mm/68¼" x (H)494mm/16½". Weight 37kg/81.5lbs.
- OCS028:** Size (W)393mm/15½" x (L)1100mm/43" x (H)494mm/16½". Weight 26.2kg/62lbs.

**Equipment sold separately.**



\*Cage sold separately.







**IMPROVE MEMBER  
EXPERIENCE FROM  
EVERY ANGLE.**



# OCTAGON CORNER STORAGE.

Installing this intelligent shelving convenience in the dead space of your facility gives you and your members more from both the fitness equipment and storage footprint. The Low Level and Ultra Low Level Angled Storage units can be expanded to suit any need, with a tiered system that offers easier accessibility than many shelving solutions exclusively at chest height.

Improve safety for members and equipment alike, with practical placement for kettlebells, medicine balls, Bulgarian bags and many other training tools.



**ULLAS2.**



**LLAS4.**

**ULLAS2** Octagon Ultra Low Level Angled Storage (freestanding)  
**LLAS4** Octagon Low Level Angled Storage

#### SPECIFICATION.

**ULLAS2:** Size (W)556mm/22" x (L)1778mm/70" x (H)760mm/30".  
Weight 44.2kg/97.4lbs.

**LLAS4:** Size (W)556mm/22" x (L)1778mm/70" x (H)1477mm/58".  
Weight 95kg/209.4lbs.

Equipment sold separately.

**PLEASE NOTE:** For suggested shelf configurations see page 14.

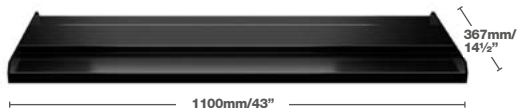
# PUT YOUR WALL SPACE TO WORK.

With an unlimited number of configurations, the new Escape mass storage innovations offer a level of personalisation that's previously been unheard of. Linking shelves to create equipment combinations that revolutionise programming potential and convenience for members or clients is only rivalled by the bottom line benefits these units bring for operators in reduced footprint. Lining your walls and efficiently filling your dead corner spaces, you can forget losing out on functional space in order to keep your equipment.

For those looking to enhance their fitness experience, these storage options also embrace an aesthetic tie-in thanks to Octagon styling that has been rolled out across the range. No longer is storage just a place to put things – it's a new talking point for any fitness space.



# OCTAGON DUMBBELL SHELF CAPACITY.



**OCS021: OCTAGON DUMBBELL SHELF.**



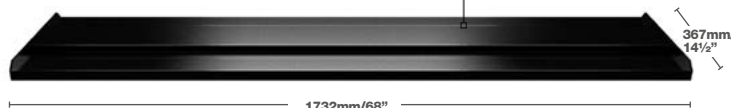
**URETHANE DUMBBELLS.**  
5 pairs 42-50kg/95-110lbs



**URETHANE DUMBBELLS.**  
5 pairs 24-34kg/55-75lbs



**URETHANE DUMBBELLS.**  
5 pairs 40-50kg/90-110lbs



**OCS020: OCTAGON DUMBBELL SHELF.**



**URETHANE DUMBBELLS.**  
10 pairs 2-20kg/5-45lb



**URETHANE DUMBBELLS.**  
20 pairs 2-40kg/5-90lbs

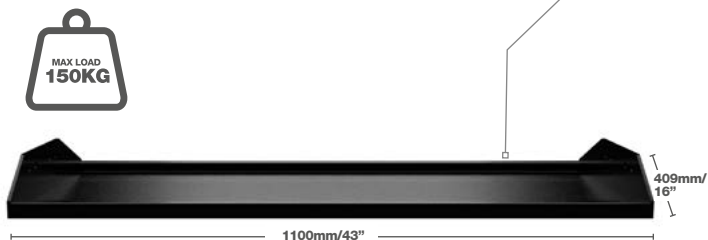


**URETHANE DUMBBELLS.**  
11 pairs 2-25kg/5-55lbs



**URETHANE DUMBBELLS.**  
9 pairs 28-45kg/60-100lbs

# OCTAGON FLAT SHELF CAPACITY.



**OCS022: FLAT SHELF.**



**TMAT11:**  
Optional shelf mat available,  
recommended for all kettlebell storage.



**COMPETITION KETTLEBELLS.**  
9 x Competition kettlebells.



**RUBBER KETTLEBELLS.**  
7 x Rubber kettlebells  
(1 set of 20lb-70lb/8kg-32kg).



**COREBAGS.**  
4 x COREBAGs 5kg-20kg/11lb-44lb.



**SANDBAGS.**  
5 x SANDBAGs.



**GRIPRS.**  
6 x GRIPRS 2kg-12kg/4.4lb-26.5lb.



**BULGARIAN BAGS.**  
6 x BULGARIAN BAGs 5kg-22kg/11lb-50lb.



**ENDURA BALLS.**  
3 x ENDURA Balls.



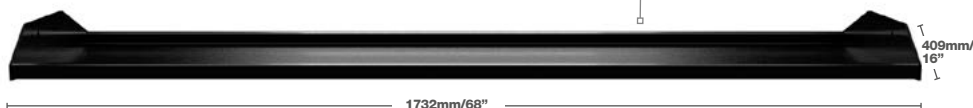
**SLAMBALL SBX.**  
7 x SLAMBALL SBX.



**RIDGE ROLLERS.**  
7 x Ridge rollers.



# OCTAGON FLAT SHELF CAPACITY.



**TMAT17:**  
Optional shelf mat available,  
recommended for all kettlebell storage.

**OCS025: FLAT SHELF - 1.7M**



**COMPETITION KETTLEBELLS.**  
12 x Competition kettlebells per shelf.



**RUBBER KETTLEBELLS.**  
16 x Rubber kettlebell (2 sets of 20lb-70lb/8kg-32kg).



**COREBAGS.**  
7 x COREBAGs 5kg-25kg/11lb-55lb.



**SANDBAGS.**  
7 x SANDBAGs.



**GRIPPRs.**  
10 x GRIPPRs 2kg-20kg/4.4lb-44lb.



**BULGARIAN BAGS.**  
9 x BULGARIAN BAGs 5kg-22kg/11lb-50lb.



**ENDURA BALLS.**  
5 x ENDURA Balls.

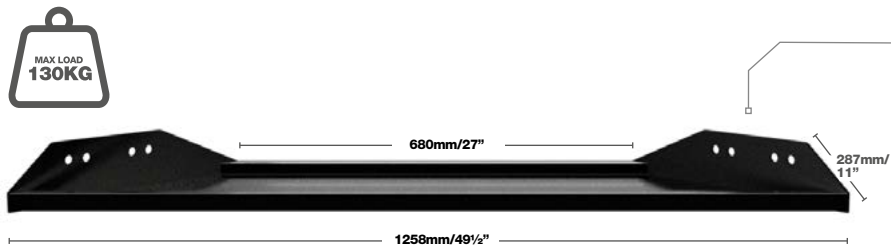


**SLAMBALL SBX.**  
13 x SLAMBALL SBX.



**RIDGE ROLLERS.**  
11 x Ridge rollers.

# OCTAGON ANGLED SHELF CAPACITY.



## OCS026: ANGLED SHELF



**COREBAGS.**  
3 x COREBAGs 5kg-15kg/11lb-33lb.



**GRIPRS.**  
7 x GRIPRS 2kg-14kg/4.4-30.9lb.



**SLAMBALL SBX.**  
4 x SLAMBALL SBX.



**COMPETITION KETTLEBELLS.**  
4 x Competition kettlebells.



**RUBBER KETTLEBELLS.**  
7 x Rubber Kettlebells (1 set of 20lb-70lb/8kg-32kg).



# WELDING IS AN ART FORM.

Escape uses low carbon steel, classified by having less than 0.3% carbon by weight. With a maximum carbon of 0.25%, the S275 steel we use is efficiently machined, welded and formed. The low carbon also prevents heat treatment from having as much of an effect on the steel.



S275 in particular has mechanical properties that make it well suited for structural applications – many bridges and buildings are constructed using the material for its high strength and toughness. The metal used for any of Escape's storage, frames, bars and plates must meet specific mechanical standards in yield strength, tensile strength and other properties.

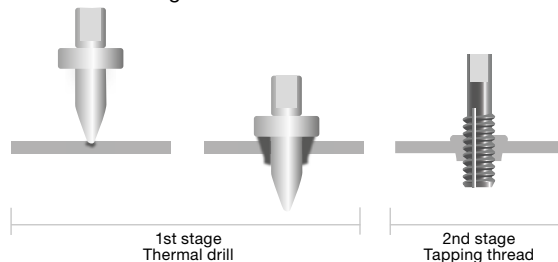
## WHY USE FLOW DRILLING?

The Escape Octagon Storage range is made in the UK using a construction method that's more than meets the eye. Flow drilling (also called flow forming or friction drilling) is a thermal process for producing a bush from the parent metal. In flow drilling and tapping, a rapidly rotating cone-shaped 'drill' point is brought into contact with the material surface. As pressure is applied, heat is generated through friction.

As the material heats up it softens and the 'drill' is pushed through the material creating a hole and a bush is formed simultaneously from the softened material. The bush increases the wall thickness ready for tapping.

Instead of removing material, which would weaken the joint, we use the parent material to form a strong connection. Other benefits of this manufacturing method include:

- Very fast process
- Stronger joints
- Cost effective
- No special machines needed
- High quality
- No additional components
- Fewer production steps
- Clean workspace (chippless)



## STRUCTURAL GRADE FIXINGS.

Escape uses bolts and screws with a property class of 8.8, normally stamped on the head of the bolt. This type of grade is often referred to as the structural grade for bolts. These types of bolts often have galvanised hexagon heads, and most are made with zinc or are zinc plated.

The two figures indicate the tensile and yield strengths of the bolt or screw. The first digit relates to the ultimate strength of the material, while the second is the ratio of yield stress to ultimate strength. In the case of an 8.8 grade bolt, the first figure signifies that the tensile strength is at least 800MPa. The second figure signifies that the fastener will begin to yield at 80% of the ultimate tensile strength, at least 640MPa.

“To me welding is a barometer of how good your product is. We pride ourselves on our quality, so we've got to deliver that quality time and time again, and we do. Quality is a day-to-day thing; it's got to be consistent time in and time out.

Welding processes must be followed to the letter. If you're putting down a good weld, it makes the frame look seamless.

**Steve Patterson, shop supervisor and senior welder at Escape.**

”

# TECHNICAL INFORMATION.

## STABILITY.

The new low level storage systems can be bolted to your fitness space floor or are also available as freestanding units, offering flexibility in fitting while still reducing materials and footprint.

The Ultra Low Level unit is freestanding and does not need to be bolted down in any gym environment. The Low Level unit requires an additional foot plate for stability when freestanding (see diagram 1). A rubber foot pad is also an option with any storage legs to reduce scratching and help prevent movement.

## LEG DIMENSIONS.

Storage units are available in two heights (see diagram 2).

### Ultra Low Level

**Height:** 760mm/30" **Width:** 120mm/5" x 80mm/3"

### Low Level

**Height:** 1467mm/58" **Width:** 120mm/5" x 80mm/3"

## STEEL GAUGE.

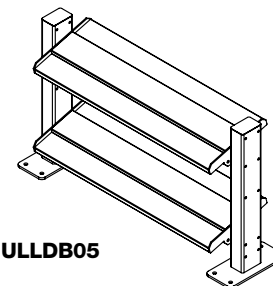
- All leg wall thickness** 4mm (8 AWG)
- 1.7m & 1.1m dumbbell shelves** 2mm (12 AWG)
- 1.1m flat shelf** 2mm (12 AWG)
- 1.7m flat shelf** 3mm (10 AWG)
- Angled shelf** 2mm (12 AWG)
- Foot plate** 10mm (00 AWG)

## TOP MAT.

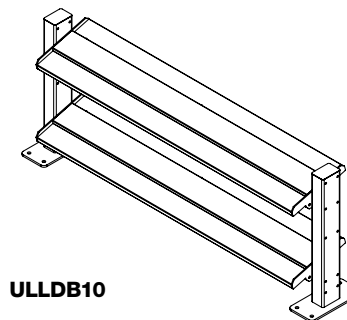
As an optional extra, a protective rubber top mat can be added to any flat shelf to protect both the surface material and products stored. This protective shelf mat is recommended for all cast kettlebell storage options.

**PLEASE NOTE:** All storage will come with required number of bolts and washers.

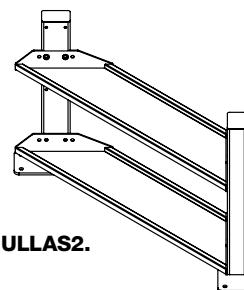
## OCTAGON STORAGE OPTIONS.



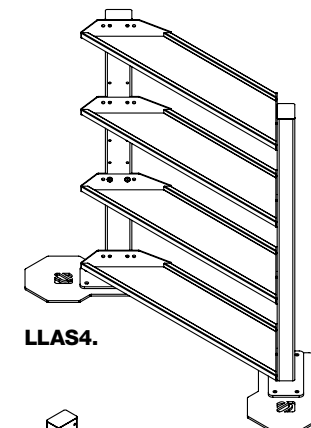
ULLDB05



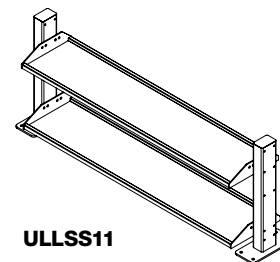
ULLDB10



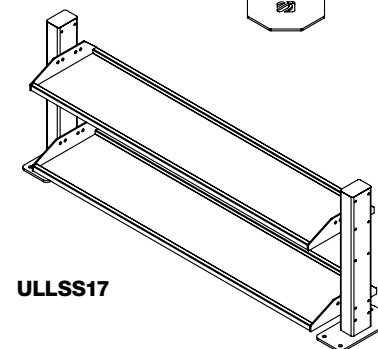
ULLAS2.



LLAS4.

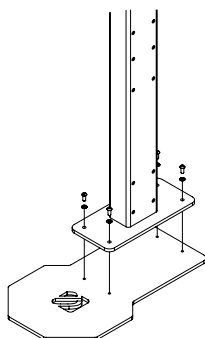


ULLSS11

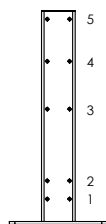


ULLSS17

01.



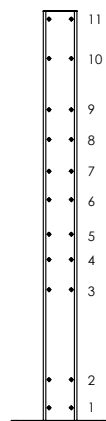
02.



OCL002

Flat shelves fit to ultra low level leg positions; **2, 5.**

Dumbbell shelves fit to ultra low level leg positions; **1, 4.**



OCL001

Flat shelves fit to low level leg positions; **2, 4, 8, 11.**

Dumbbell shelves fit to low level leg positions; **1, 3, 7, 10.**



# OCTAGON FRAME BASED STORAGE.





# FRAME BASED STORAGE.

This innovative shelving can be fitted to frames for any space, big or small. Below are some examples of how you can build your ultimate fitness experience.

## HTS 90.



## HIT HUB.



## HTS 8.2.4.



## HTS 12.





**ESCAPE FITNESS LTD  
HEAD OFFICE.**

11-14 Tresham Road, Orton Southgate,  
Peterborough, Cambridgeshire,  
PE2 6SG, England

**TELEPHONE** +44(0)1733 313 535

**FACSIMILE** +44(0)1733 316 539

**EMAIL** sales@escapefitness.com

**WEBSITE** www.escapefitness.com

Registered in England 4215703

**ESCAPE FITNESS USA LLC.**

4434 Muhlhauser Road, Suite 300,  
Westchester, OH 45011, USA

**TELEPHONE** +1 614 706 4462

**EMAIL** salesusa@escapefitness.com

**WEBSITE** www.escapefitness.com/us

Registered in USA 201206600158

**ESCAPE FITNESS GMBH.**

Escape Fitness GmbH, Overweg 21,  
59494 Soest, Deutschland

**TELEPHONE** +49(0)2921 590 10 70

**FACSIMILE** +49(0)2921 590 10 710

**EMAIL** sales@escapefitness.de

**WEBSITE** www.escapefitness.com/de

Registered in Germany HRB 8838 ARNSBERG

**ESCAPE FITNESS  
POLAND SP. Z O.O.**

**TELEPHONE** +48(0)59 8634 322

**EMAIL** poland@escapefitness.com

**WEBSITE** www.escapefitness.com/pl

Registered in Poland 0000244786

© **ESCAPE FITNESS LIMITED 2020.**