

RACK5.



All Rights Reserved Escape Fitness Limited.

MAXIMISE EQUIPMENT STORAGE
USING MINIMAL FLOORSPACE.

COLOURS AND BUILD.

Colours: (bespoke colours available)

- Spine: **Cool Grey.**
- Shelves/Base: **Black.**
- Large stops: **White.**
- Guards: **Black.**

Materials:

- Backbone, base and shelves: **S275 carbon steel.**
- Large stops: **ABS plastic.**
- Guard: **Plastic PTR.**

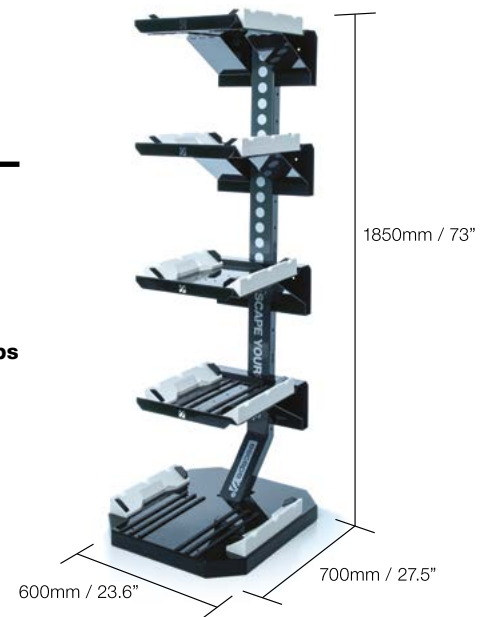
WEIGHT AND DIMENSIONS.

Weight:

- Total weight unloaded – **75kg / 165 lbs**
- Maximum loaded weight – **250kg / 550 lbs**
- Maximum load weight per shelf – **50kg / 110 lbs**

Dimensions:

- 700mm x 600mm x 1850mm / 27.5" x 23.6" x 73".**
- Maximum space between shelves: **450mm / 17.7".**
- Minimum space between shelves: **50mm / 2".**



CLUB BENEFITS.

AN INDUSTRY-LEADING

STAND-ALONE STORAGE RACK TO KEEP ALL YOUR FUNCTIONAL TRAINING EQUIPMENT SAFE AND TIDY.

AN IDEAL DESTINATION

FOR ONE TO ONE PT SESSIONS – ALL FUNCTIONAL EQUIPMENT IS CLOSE AND ACCESSIBLE IN ONE PLACE.

MAKES ALL FUNCTIONAL

EQUIPMENT EASY TO ACCESS FOR ALL MEMBERS.



ADJUSTABLE –

The shelves of the RACK5 are fully adjustable in 50mm increments, so you can rearrange the shelves to suit your club and equipment.



STRONG AND DURABLE –

Manufactured from S275 structural carbon steel and painted with a powder coat for a scratch resistant finish.



VERSATILE –

Choose and set the product bumpers to suit your equipment – these can be arranged to keep equipment safely stored.



IDEAL FOR MAXIMISING FLOORSPACE –

The RACK5 has a small footprint (600mm/23.6" x 700mm/27.5") but has the capability to store a lot of equipment.



SUITABLE FOR:

Medicine balls, Bulgarian Bags, Kettlebells, Sandbags, Corebags, foam rollers, Slamballs, Vertballs, VERTMINI and Core Momentum Trainers.

MAT RACK ATTACHMENT.

The Mat Rack (RACK5B5) attachment can be attached to the spine of the RACK5 to store the Escape range of mats.

- Clear bar length is **290mm**
- Mat thickness: **5mm = 50 mats**
- Mat thickness: **10mm = 25 mats**



360° STORAGE.

Each shelf has a connecting hole on its back face, allowing you to bolt two RACK5s together to double up on storage.



WARRANTY.

Warranty:

- Metalwork: **5 years.**
- Plastic attachments: **1 year.**